

LUX SERIES

SPOT LUX: INTENSE PERIMETER LIGHTING



SPOT LUX
S-4600



SPOT LUX
S-3700



SPOT LUX
S-7900

Equipment Dimensions 
pp. 03

Specifications 
pp.03

Wiring Diagram 
pp.04



Fenix Product Copyrights This price List and the mentioned Fenix products include or describe copyrighted Fenix material. Laws in the United States and other countries preserve for Fenix Industries and its licensors certain exclusive rights for copyrighted material, including the exclusive right to copy, reproduce in any form, distribute and make derivative works of the copyrighted material. Accordingly, any copyrighted material of Fenix and its licensors contained herein or in the Fenix products described in this Price List may not be copied, reproduced, distributed, merged or modified, transmitted, transcribed, stored in retrieval system or translated into any language or computer language, in any form or by any means, without prior written permission of Fenix Industries, Inc. Fenix and the stylized Fenix logo are registered in the U.S. Patent & Trademark Office.



SAFETY REGULATIONS & WARRANTY

Safety Regulations

The following provides all the information necessary to safely operate the previously listed products of Feniex Industries, Inc. Please read this manual thoroughly before installing or operating your new product in order to prevent any damage or injury. Failure to follow the listed instructions in this manual may result in damage to your products or personal injury.

- Proper installation of this product requires good knowledge of automotive systems, electronics and procedures.
- Please guarantee all vital components of the vehicle are not in danger of being damaged by drilling holes necessary for installation. Check all sides of the mounting surface before drilling any holes into the vehicle.
- Do not install this product in any way that interferes with the deployment of the air bag. Doing so may damage the effectiveness of the air bag and can lead to serious personal and vehicle injury. The installer will assume full responsibility of proper installation of the new unit.
- Please clean the mounting surface before installation of the unit when using tape, brackets, magnet, Velcro or suction cups.
- The product's ground wire must be connected directly to the Negative (-) battery post for effective use of the unit. Please follow all wiring guidelines provided to guarantee long lifespan and productivity. Failing to follow these instructions may result in damage to the product.

Warranty

Feniex Industries, Inc. warranties to the original purchaser that all our products shall be free from defects in material and workmanship. Feniex Industries' speakers, sirens, rocker panels, AM600 Beacons, Torch Lights, AI lightbars, AI Cubes, AM900 Work Lights, 8.5" Dome Lights, flashlights, Remote Spot Lights and controllers are warranted for 2 years from the manufacturing date. In addition, all other products are warranted for 5 years from the manufacturing date.

If a warranty problem occurs, please contact customer support at 1.800.615.8350 or visit the web site at www.Feniex.com.

If the product needs to be returned for repair or replacement, call our customer support line to receive a return merchandise authorization number.

Operational times are from 10 a.m. to 5 p.m. central time, Monday through Friday. Please do not send in product without contacting support first for a RMA number.

Service After Expiration

Feniex Industries will still provide service for all products after expiration of the warranty. For any issues, call the customer support line. In some instances it may be necessary for the product to be shipped, freight prepaid and insured for loss or damage to Feniex headquarters.

Warning! Utilizing non-factory screws and mounting brackets may result in loss of warranty coverage.

Copyright

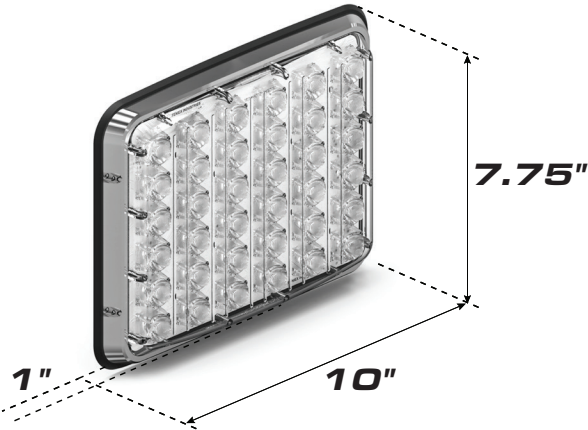
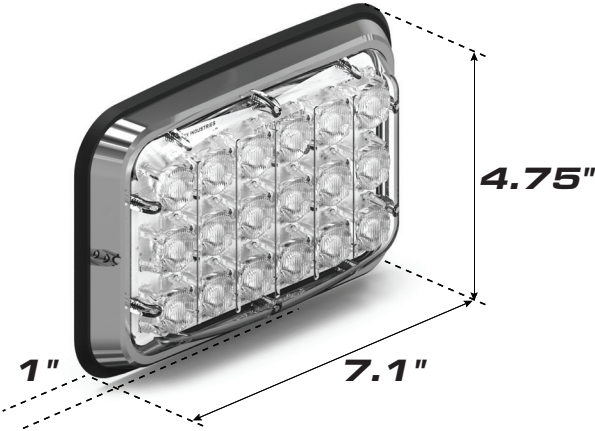
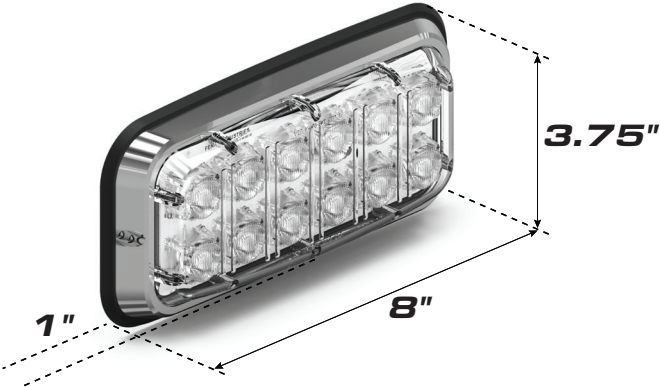
This instruction manual and the Feniex products described in this instruction manual may include or describe copyrighted Feniex material. Laws in the United States and other countries preserve for Feniex Industries and its licensors certain exclusive rights for copyrighted material, including the exclusive right to copy, reproduce in any form, distribute and make derivative works of the copyrighted material. Accordingly, any copyrighted material of Feniex and its licensors contained herein or in the Feniex products described in this instruction manual may not be copied, reproduced, distributed, merged or modified in any manner without the express written permission of Feniex Industries, Inc.

Feniex Product Copyrights

The products described in this document are the property of Feniex Industries, Inc. It is furnished by express license agreement only and may be used only in accordance with the terms of such an agreement. Products and documentation are copyrighted materials. Making unauthorized copies is prohibited by law. No part of the product or documentation may be reproduced, transmitted, transcribed, stored in retrieval system or translated into any language or computer language, in any form or by any means, without prior permission from Feniex Industries, Inc.



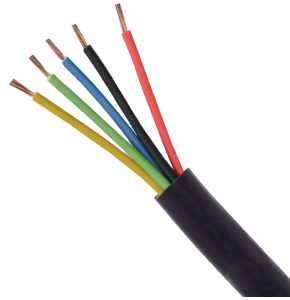
EQUIPMENT DIMENSIONS





▲ WIRING DIAGRAM

Black	Ground
Red	12v+, Positive
Brown	Flashing
Green	Dim
White	Pattern/Sync



▲ SPECIFICATIONS

Power Drive	6x4: 1.25A
	7x3: 1A
	9x7: 1.5A
LED Count:	6x4: 18 LEDs
	7x3: 12 LEDs
	9x7: 36 LEDs

■ Activation

In order to activate the unit, extend the red, 12v+ wire to the 12V+ post of the vehicle's battery. Extend the black, 12v- wire to the ground post of the vehicle's battery.

Operating Voltage	12V DC
Standby Power	0mA
Waterproof:	IP67
Mounting Options:	
	Surface Mount Bezel
	Rear Mount (no bezel)

Feniex University

Watch our instructional videos at Feniex University to see an in-depth look at our product's features and functions.



Use the link below:
feniexuniversity.com

▲ MOUNTING

■ Mounting Option 1: Bezel

1. Place the Down Lux Surface Mount between the bezel and rear gasket.
2. Place against the intended mounting surface and mark the holes for drilling.
3. Mark the areas where the mounting holes will be drilled. If the mounting surface is part of the vehicle, make sure no vital components could be damaged by the drilling process. There is an installation template available at feniex.com.
4. Drill the mounting holes in the marked surface. If wires need to pass through the vehicle, drill a 0.5" diameter hole for wire passage. Make sure to deburr holes thoroughly.
5. Pass the wires through the 0.5" diameter hole and secure the Surface Mount with bezel and gasket to the mounting surface using the factory provided screws (ensure no vital components are damaged when drilling holes for the surface mount).

■ Mounting Option 2: No Bezel

1. Place the large bolt (part #1) in the rear of the control, as shown in the diagram.
2. Secure the bolt by placing the bracket (part #2) over the bolt so the bracket is flush with the gasket.
3. Secure the bracket and bolt to the rear of the gasket with the two factory provided screws (part #3).
4. Mark the areas where the mounting holes will be drilled. If the mounting surface is part of the vehicle, make sure no vital components could be damaged by the drilling process.
5. Drill two mounting holes on the mounting surface, making sure no vital components of the surface are damaged.
6. Using customer provided screws, secure the Down Lux to the mounting surface.



Mounting option 2





7X3 SPOT LUX: FLASH PATTERNS

1	Single Slow
2	Single Slow Split
3	Single Fast
4	Single Fast Split
5	Combo Slow
6	Double Slow
7	Double Slow Split
8	Double Fast
9	Double Fast Split
10	Combo Double
11	Quad Slow
12	Quad Slow Split
13	Quad Fast
14	Quad Fast Split
15	Combo Quad
16	Attack
17	Attack Split
18	Full Steady-On: <i>3 seconds</i>
19	Left Steady-On: <i>3 seconds</i>
20	Right Steady-On: <i>3 seconds</i>





▲ 6X4 SPOT LUX: FLASH PATTERNS

1	Single Slow
2	Single Slow Split
3	Single Fast
4	Single Fast Split
5	Combo Slow
6	Double Slow
7	Double Slow Split
8	Double Fast
9	Double Fast Split
10	Combo Double
11	Quad Slow
12	Quad Slow Split
13	Quad Fast
14	Quad Fast Split
15	Combo Quad
16	Attack
17	Attack Split
18	Full Steady-On: 3 seconds
19	Left Steady-On: 3 seconds
20	Right Steady-On: 3 seconds





▲ 9X7 SPOT LUX: FLASH PATTERNS

1	Single Slow
2	Single Slow Split
3	Single Slow Split (vert.)
4	Single Slow Split (quad.)
5	Single Fast
6	Single Fast Split
7	Single Fast Split (vert.)
8	Single Fast Split (quad.)
9	Combo Slow (quad.)
10	Double Slow
11	Double Slow Split
12	Double Slow Split (vert.)
13	Double Slow Split (quad.)
14	Double Fast
15	Double Fast Split
16	Double Fast Split (vert.)
17	Double Fast Split (quad.)
18	Combo Double (Quad.)
19	Quad Slow
20	Quad Slow Split

21	Quad Slow Split (vert.)
22	Quad Slow Split (quad.)
23	Quad Fast
24	Quad Fast Split
25	Quad Fast Split (vert.)
26	Quad Fast Split (quad.)
27	Combo Quad
28	Attack
29	Attack Split
30	Full Steady On: 3 seconds
31	Top Steady-On: 3 secs
32	Bottom Steady-On: 3 secs
33	Left Steady-On: 3 secs
34	Right Steady-On: 3 secs

