



STORMPRO®

THUNDERING PERFORMANCE



C-4014 & C-4015 INSTRUCTION MANUAL

! IMPORTANT

If your Storm Pro Siren has the label/logo pictured, it is **NOT COMPATIBLE** with 4200 DataLink. **DO NOT CONNECT IT** via RJ45 to the 4200 System.



Fenix Product Copyrights This price List and the mentioned Fenix products include or describe copyrighted Fenix material. Laws in the United States and other countries preserve for Fenix Industries and its licensors certain exclusive rights for copyrighted material, including the exclusive right to copy, reproduce in any form, distribute and make derivative works of the copyrighted material. Accordingly, any copyrighted material of Fenix and its licensors contained herein or in the Fenix products described in this Price List may not be copied, reproduced, distributed, merged or modified, transmitted, transcribed, stored in retrieval system or translated into any language or computer language, in any form or by any means, without prior written permission of Fenix Industries, Inc.. Fenix and the stylized Fenix logo are registered in the U.S. Patent & Trademark Office.



TABLE OF CONTENTS



| | |
|---|---|
| Safety Regulations & Warranty | 3 |
| Service after Expiration | 3 |
| Copyright | 3 |
| Feniex Product Copyright | 3 |
| Box Contents, Specifications, & Dimensions | 4 |
| Box Contents | 4 |
| Dimensions | 4 |
| Specifications | 4 |
| Wiring Information | 5 |
| Wiring Information | 5 |
| Installation Instructions | 6 |
| Power | 6 |
| Speaker Connection | 6 |
| Siren Tone Activation | 6 |
| Power-Up Functionality | 6 |
| Siren Tone Selection | 6 |
| Siren Tones | 6 |
| Audio Tones | 6 |
| Configuration Instructions | 7 |
| Park-Kill | 7 |
| Siren Tone Overrides | 7 |
| Radio Rebroadcast Inputs | 7 |
| Radio Rebroadcast Activation | 7 |
| Dual Siren Delay | 7 |
| Horn-Ring | 7 |
| Mounting Instructions | 8 |
| Storm 100w Amplifier Mounting | 8 |
| Storm 200w Amplifier Mounting | 8 |

SAFETY REGULATIONS & WARRANTY



SAFETY REGULATIONS

The following provides all the information necessary to safely operate the previously listed products of Feniex Industries, Inc. Please read this manual thoroughly before installing or operating your new product in order to prevent any damage or injury. Failure to follow the listed instructions in this manual may result in damage to your products or personal injury.

- Proper installation of this product requires good knowledge of automotive systems, electronics & procedures.
- Please guarantee all vital components of the vehicle are not in danger of being damaged by drilling holes necessary for installation. Check all sides of the mounting surface before drilling any holes into the vehicle.
- Do not install this product in any way that interferes with the deployment of the air bag. Doing so may damage the effectiveness of the air bag & can lead to serious personal and vehicle injury. The installer will assume full responsibility of proper installation of the new unit.
- Please clean the mounting surface before installation of the unit when using tape, brackets, magnet, Velcro or suction cups.
- The product's ground wire must be connected directly to the negative (-) battery post for effective use of the unit. Please follow all wiring guidelines provided to guarantee long lifespan & productivity. Failing to follow these instructions may result in damage to the product.

WARRANTY

Feniex Industries, Inc. warrants to the original purchaser that the product shall be free from defects in material & workmanship for 5 years from the date of purchase for all LED products. Feniex Industries warranties speakers, sirens, flashers, & controllers for 2 years.

If warranty service is needed, please contact customer support:

Phone: 1.800.615.8350

Web Site: www.Feniex.com/support

Email: techsupport@feniex.com

If the product needs to be returned for repair or replacement, contact our customer service team (using any method listed above) to receive a Return Merchandise Authorization (RMA) number. Operational times are from 9 a.m. to 6 p.m. central time, Monday through Friday.

 Please do not send in product without contacting support first for a Return Merchandise Authorization (RMA) number.

CONDITIONS

Feniex Industries, Inc. will not be held responsible for any costs associated with equipment removal and/or re-installation resulting from a warranty claim. It is the sole responsibility of the party initiating a warranty claim to pay shipping charges associated with returning a product to Feniex Industries for repair or replacement.

SERVICE AFTER EXPIRATION

Feniex Industries will still provide service for all products after expiration of the warranty. For any issues, call the customer support line. In some instances it may be necessary for the product to be shipped, freight prepaid and insured for loss or damage to Feniex headquarters.

 Utilizing non-factory screws and mounting brackets may result in the loss of warranty coverage.

COPYRIGHT

This instruction manual and the Feniex products described in this instruction manual may include or describe copyrighted Feniex material. Laws in the United States and other countries preserve for Feniex Industries and its licensors certain exclusive rights for copyrighted material, including the exclusive right to copy, reproduce in any form, distribute and make derivative works of the copyrighted material. Accordingly, any copyrighted material of Feniex and its licensors contained herein or in the Feniex products described in this instruction manual may not be copied, reproduced, distributed, merged or modified in any manner without the express written permission of Feniex Industries, Inc.

FENIEX PRODUCT COPYRIGHTS

The products described in this document are the property of Feniex Industries, Inc. It is furnished by express license agreement only and may be used only in accordance with the terms of such an agreement. Products and documentation are copyrighted materials. Making unauthorized copies is prohibited by law. No part of the product or documentation may be reproduced, transmitted, transcribed, stored in retrieval system or translated into any language or computer language, in any form or by any means, without prior permission from Feniex Industries, Inc.

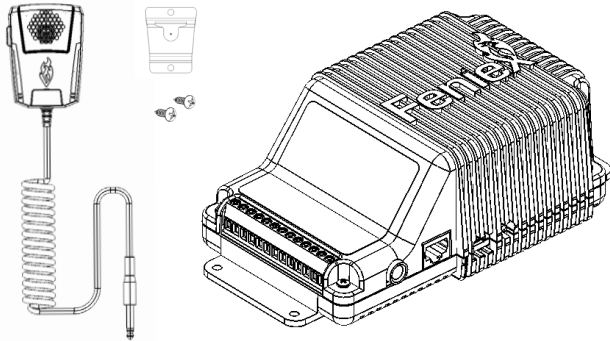
BOX CONTENTS, DIMENSIONS, SPECIFICATIONS



BOX CONTENTS

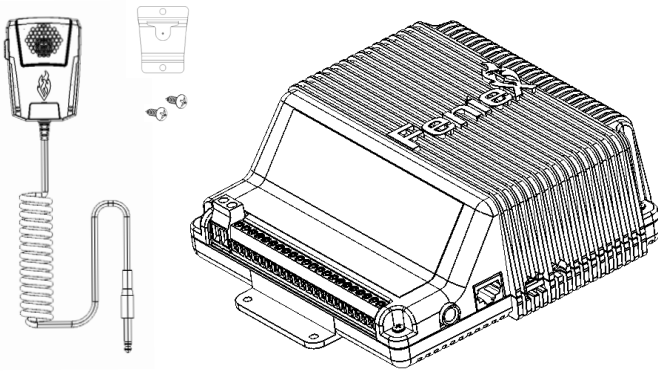
COMPONENTS: STORM PRO 100 WATT QUANTITY

| | |
|--------------------------|----|
| Storm Pro 100w Amplifier | 1* |
| Microphone | 1 |
| Microphone Clip | 1 |
| Screws | 2 |

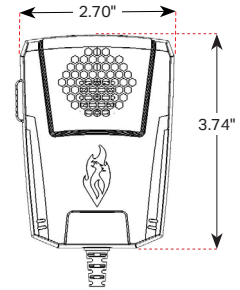
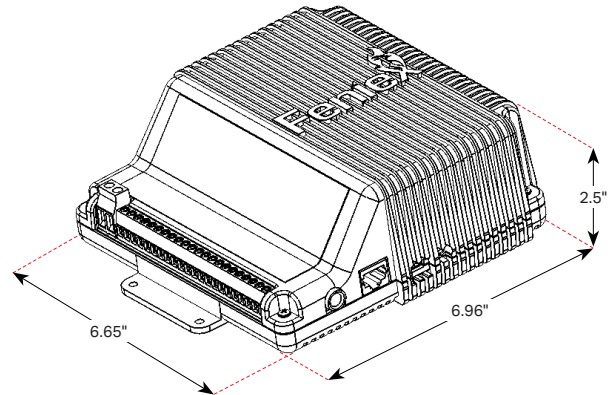
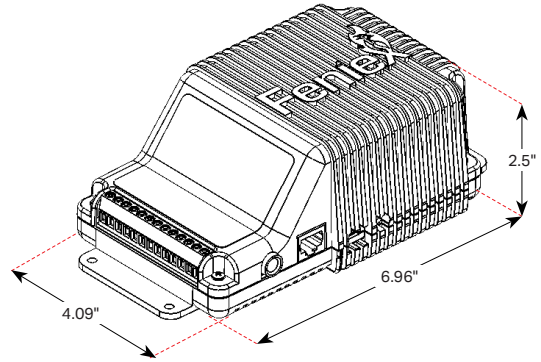


COMPONENTS: STORM PRO 200 WATT QUANTITY

| | |
|--------------------------|----|
| Storm Pro 200w Amplifier | 1* |
| Microphone | 1 |
| Microphone Clip | 1 |
| Screws | 2 |



DIMENSIONS



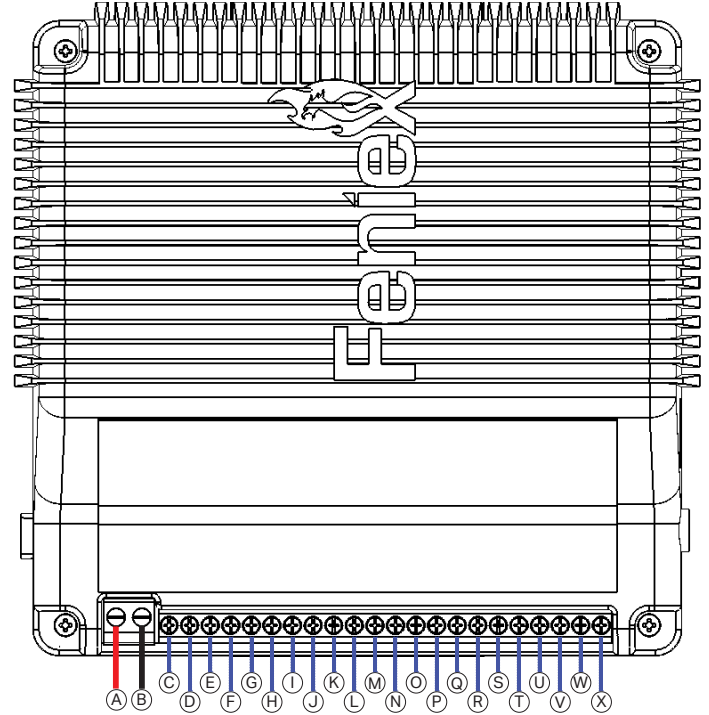
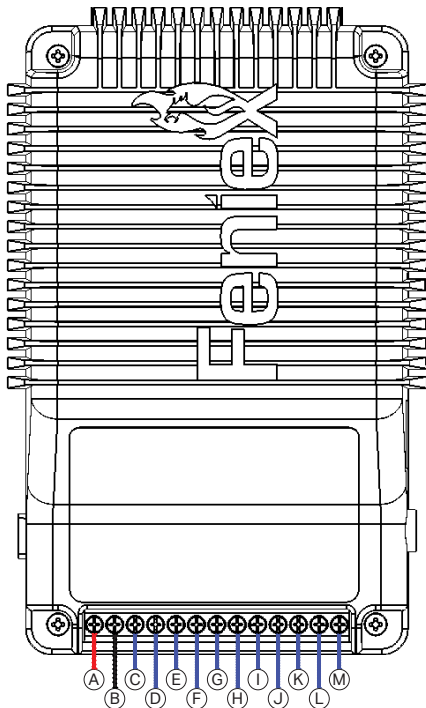
SYSTEM SPECIFICATIONS

| | |
|-----------------|-----------------------------|
| Input Voltage | 12 VDC |
| Max Amperage | 10 Amps (onboard fuse: 20a) |
| Standby Current | 30mA |
| Impedance | 11 Ohms |
| Siren Output | 100 Watts or 200 Watts |
| Siren Voltage | 35v RMS |
| Mic Dimensions | |
| 100w Dimensions | 4.09" W x 6.96" D x 2.50" H |
| 200w Dimensions | 6.65" W x 6.96" D x 2.50" H |
| Housing | Aluminum |
| External Fuse | 125% of Circuit Load |
| Warranty | 2 Years |

⚠ IMPORTANT

30 AMP MAX FUSE MADE IN USA 30 AMP RJ45

If your Storm Pro Siren has the label/logo pictured, it is NOT COMPATIBLE with 4200 DataLink. DO NOT CONNECT IT via RJ45 to the 4200 System.



| KEY | FUNCTION | POLARITY | CONNECTION |
|-----|--------------|----------|----------------------|
| A | Positive | 12v (+) | Positive Terminal |
| B | Ground | 12v (-) | Ground Terminal |
| C | Tone 1 | 12v (+) | Latching Switch |
| D | Tone 2 | 12v (+) | Latching Switch |
| E | Tone 3 | 12v (+) | Latching Switch |
| F | Tone 4 | 12v (+) | Latching Switch |
| G | Horn Ring | 12v (+) | Vehicle Horn Signal |
| H | Park Kill | 12v (+) | Vehicle Park Signal |
| I | Rebroadcast | 12v (+) | Latching Switch |
| J | Radio Input | N/A | Radio Speaker Output |
| K | Radio Input | N/A | Radio Speaker Output |
| L | 100w Speaker | N/A | Speaker Terminal |
| M | 100w Speaker | N/A | Speaker Terminal |

| KEY | FUNCTION | POLARITY | CONNECTION |
|-----|------------------|----------|----------------------|
| A | Positive | 12v (+) | Positive Terminal |
| B | Ground | 12v (-) | Ground Terminal |
| C | Tone 1/Speaker 1 | 12v (+) | Latching Switch |
| D | Tone 2/Speaker 1 | 12v (+) | Latching Switch |
| E | Tone 3/Speaker 1 | 12v (+) | Latching Switch |
| F | Tone 4/Speaker 1 | 12v (+) | Latching Switch |
| G | Tone 5/Speaker 1 | 12v (+) | Latching Switch |
| H | Tone 6/Speaker 1 | 12v (+) | Latching Switch |
| I | Tone 1/Speaker 2 | 12v (+) | Latching Switch |
| J | Tone 2/Speaker 2 | 12v (+) | Latching Switch |
| K | Tone 3/Speaker 2 | 12v (+) | Latching Switch |
| L | Tone 4/Speaker 2 | 12v (+) | Latching Switch |
| M | Tone 5/Speaker 2 | 12v (+) | Latching Switch |
| N | Tone 6/Speaker 2 | 12v (+) | Latching Switch |
| O | Dual Delay | 12v (+) | Latching Switch |
| P | Horn Ring | 12v (+) | Vehicle Horn Signal |
| Q | Park Kill | 12v (+) | Vehicle Park Signal |
| R | Rebroadcast | 12v (+) | Latching Switch |
| S | Radio Input | N/A | Radio Speaker Output |
| T | Radio Input | N/A | Radio Speaker Output |
| U | 100w Speaker 2 | N/A | Speaker 2 Terminal |
| V | 100w Speaker 2 | N/A | Speaker 2 Terminal |
| W | 100w Speaker 1 | N/A | Speaker 1 Terminal |
| X | 100w Speaker 1 | N/A | Speaker 1 Terminal |

⚠ IMPORTANT

If your Storm Pro Siren has the label/logo pictured, it is **NOT COMPATIBLE** with 4200 DataLink. **DO NOT CONNECT IT** via RJ45 to the 4200 System.

INSTALLATION INSTRUCTIONS

POWER

To power the unit, extend the red wire to a 12v (+) post. Extend the black wire to the ground post.

SPEAKER CONNECTION

Connect the speaker(s) to the corresponding output (dependant on the siren model as shown below):

- **Storm Pro 100w**
 - Outputs L & M
- **Storm Pro 200w**
 - Outputs W & X (not polarity dependant)
 - Outputs U & V (not polarity dependant)

Speaker outputs are not polarity dependant.

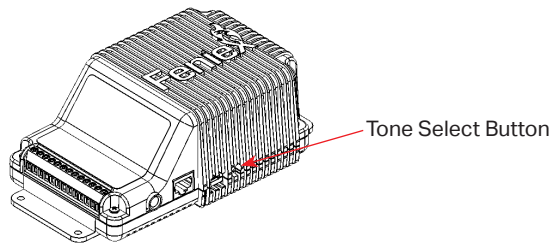
SIREN TONE ACTIVATION

To activate siren tones, apply power to the corresponding input (dependant on siren model as shown below):

- **Storm Pro 100w**
 - Inputs C, D, E, & F
- **Storm Pro 200w**
 - Inputs C, D, E, F, G, & H for speaker #1
 - Inputs I, J, K, L, M, & N for speaker #2

SIREN TONE SELECTION

To cycle through tones activate desired port and momentarily press the tone selector switch to cycle to next tone.



SIREN TONES

| | |
|-------------------|-----------------------------|
| 1) Wail | 13) Ecto Siren |
| 2) Yelp | 14) Bad Boys |
| 3) Fast Yelp | 15) Move Out of the Way |
| 4) Phaser | 16) Pull Over |
| 5) Mechanical | 17) Step Out of the Vehicle |
| 6) Manual Wail | 18) Step Out w/Hands Up |
| 7) Hi/Lo | 19) Remain in your Vehicle |
| 8) P-Call [Slow] | 20) Remain... Windows Down |
| 9) P-Call [Fast] | 21) Test Tone |
| 10) Horn & Phaser | 22) Italian Police* |
| 11) Horn & Yelp | 23) Italian Ambulance* |
| 12) Phaser & Yelp | *Storm Pro 100w Only |

AUDIO TONES

| Ectosiren | Siren Tone |
|-----------------------------------|---------------|
| Bad Boys | Song |
| Move Out of the Way | Voice Command |
| Pull Over | Voice Command |
| Step Out of the Vehicle | Voice Command |
| Step Out Hands Up | Voice Command |
| Remain in Your Vehicle | Voice Command |
| Remain in Vehicle... Windows Down | Voice Command |

! For a single speaker, an activated tone with a higher input number overrides an activated tone with a lower input number. For example, if Tone 4 and Tone 3 are both activated for Speaker 1, the siren will play Tone 4 for Speaker 1.

! **IMPORTANT**

If your Storm Pro Siren has the label/logo pictured, it is **NOT COMPATIBLE** with 4200 DataLink. **DO NOT CONNECT IT** via RJ45 to the 4200 System.

OPERATING INSTRUCTIONS

PARK-KILL

Park-Kill is used to deactivate any activated standard siren tone. Park-Kill does not deactivate audio recordings. The Park-Kill wire can be connected to your vehicle's overhead light, door trigger, or park-signal so that the siren is disabled when the door is opened or the vehicle is shifted to park.

SIREN TONE OVERRIDE

When either Radio Rebroadcast or the Microphone is activated, any activated tone, standard siren tone or audio recording, gets deactivated.

RADIO REBROADCAST INPUTS

To allow for the ability to rebroadcast your emergency band radio, simply splice in a wire to each of the two coming from the radio's speaker output. Connect those new wires to the input terminals on the Storm Pro. Polarity is not dependant.

RADIO REBROADCAST ACTIVATION

To activate your radio's rebroadcast through the siren amplifier/speaker, provide power to the the following terminal:

- **Storm Pro 100w**
 - Input I
- **Storm Pro 200w**
 - Input R

DUAL SIREN DELAY

Dual Delay can be used when both speakers play the same standard siren tone. When Dual Delay is activated, the tones start playing out of sync to create the delay effect. Dual Delay applies only for standard siren tones with Dual Delay capability. Dual Delay does not affect audio tones.

HORN-RING

Horn Ring can be used as a standard vehicle horn or used to quickly switch between two standard siren tones. To use Horn Ring as a vehicle horn, simply do not activate any of the tone inputs.

To use Horn Ring for tone switching, activate an input configured to a tone with Horn Ring capability. Momentarily activate the Horn Ring to switch between the configured tone and its alternate tone. Horn Ring does not affect audio tones.



! IMPORTANT

FENIX INDUSTRIES, INC.

STORM PRO™
THUNDERING PERFORMANCE

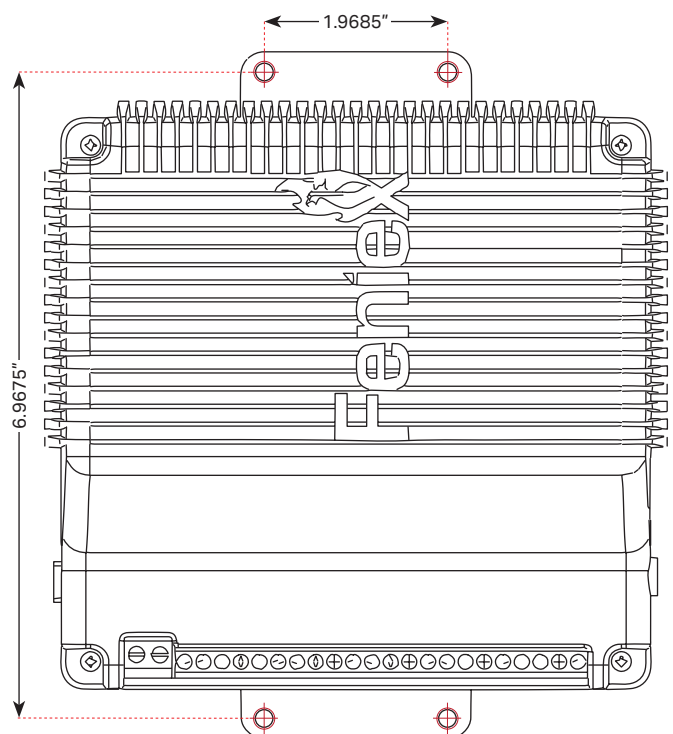
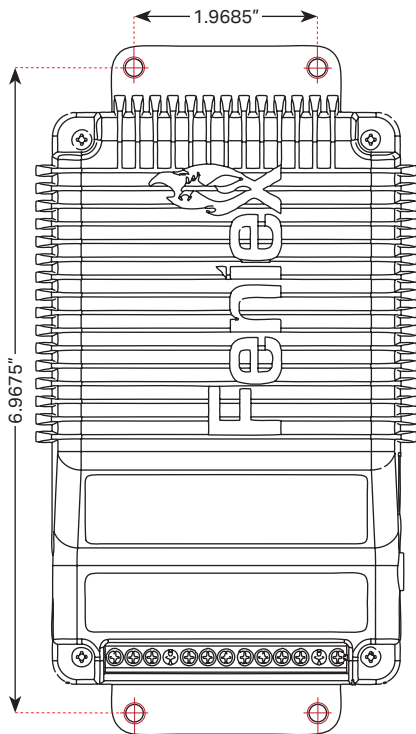
30 AMP MAX FUSE 1 | MADE IN USA | MIC | RMS

If your Storm Pro Siren has the label/logo pictured, it is NOT COMPATIBLE with 4200 DataLink. DO NOT CONNECT IT via RJ45 to the 4200 System.

MOUNTING INSTRUCTIONS

STORM PRO 100 WATT & 200 WATT AMPLIFIER MOUNTING

- 1) Place the unit against the intended mounting surface.
- 2) Mark the areas where the mounting holes will be drilled. If the mounting surface is part of the vehicle, make sure no vital components could be damaged by the drilling process.
- 3) Pre-drill four 1/16" mounting holes on the mounting surface, making sure no vital components of the surface are damaged.
- 4) Make sure to deburr the holes thoroughly.



- 5) Using customer provided screws, secure the Storm Pro to the mounting surface

! IMPORTANT

FENIX INDUSTRIES, INC.

STORM PRO™
THUNDERING PERFORMANCE

32 AMP MAX FUSE | MADE IN USA | MIC | RJ45

If your Storm Pro Siren has the label/logo pictured, it is **NOT COMPATIBLE** with 4200 DataLink. **DO NOT CONNECT IT** via RJ45 to the 4200 System.