

TITAN[®]

30W SPEAKER



S-5018

INSTRUCTION MANUAL



Feniex Product Copyrights This price List and the mentioned Feniex products include or describe copyrighted Feniex material. Laws in the United States and other countries preserve for Feniex Industries and its licensors certain exclusive rights for copyrighted material, including the exclusive right to copy, reproduce in any form, distribute and make derivative works of the copyrighted material. Accordingly, any copyrighted material of Feniex and its licensors contained herein or in the Feniex products described in this Price List may not be copied, reproduced, distributed, merged or modified, transmitted, transcribed, stored in retrieval system or translated into any language or computer language, in any form or by any means, without prior written permission of Feniex Industries, Inc.. Feniex and the stylized Feniex logo are registered in the U.S. Patent & Trademark Office.



Safety Regulations & Warranty	3
Service after Expiration	3
Copyright	3
Feniex Product Copyright	3
Specifications, Tones, & Wiring	4
System Specifications	4
Box Content	4
Dimensions	4
Programming	5
Tone Selection	5
Wiring Diagram	5
Power	5
Programming (cont.)	6
Microphone	6

SAFETY REGULATIONS & WARRANTY



SAFETY REGULATIONS

The following provides all the information necessary to safely operate the previously listed products of Feniex Industries, Inc. Please read this manual thoroughly before installing or operating your new product in order to prevent any damage or injury. Failure to follow the listed instructions in this manual may result in damage to your products or personal injury.

- Proper installation of this product requires good knowledge of automotive systems, electronics & procedures.
- Please guarantee all vital components of the vehicle are not in danger of being damaged by drilling holes necessary for installation. Check all sides of the mounting surface before drilling any holes into the vehicle.
- Do not install this product in any way that interferes with the deployment of the air bag. Doing so may damage the effectiveness of the air bag & can lead to serious personal and vehicle injury. The installer will assume full responsibility of proper installation of the new unit.
- Please clean the mounting surface before installation of the unit when using tape, brackets, magnet, Velcro or suction cups.
- The product's ground wire must be connected directly to the negative (-) battery post for effective use of the unit. Please follow all wiring guidelines provided to guarantee long lifespan & productivity. Failing to follow these instructions may result in damage to the product.

WARRANTY

Feniex Industries, Inc. warrants to the original purchaser that the product shall be free from defects in material & workmanship for 5 years from the date of purchase for all LED products. Feniex Industries warranties speakers, sirens, flashers, & controllers for 2 years.

If warranty service is needed, please contact customer support:

Phone: 1.800.615.8350

Web Site: www.Feniex.com/support

Email: techsupport@feniex.com

If the product needs to be returned for repair or replacement, contact our customer service team (using any method listed above) to receive a Return Merchandise Authorization (RMA) number. Operational times are from 9 a.m. to 6 p.m. central time, Monday through Friday.

 Please do not send in product without contacting support first for a Return Merchandise Authorization (RMA) number.

CONDITIONS

Feniex Industries, Inc. will not be held responsible for any costs associated with equipment removal and/or re-installation resulting from a warranty claim. It is the sole responsibility of the party initiating a warranty claim to pay shipping charges associated with returning a product to Feniex Industries for repair or replacement.

SERVICE AFTER EXPIRATION

Feniex Industries will still provide service for all products after expiration of the warranty. For any issues, call the customer support line. In some instances it may be necessary for the product to be shipped, freight prepaid and insured for loss or damage to Feniex headquarters.

 Utilizing non-factory screws and mounting brackets may result in the loss of warranty coverage.

COPYRIGHT

This instruction manual and the Feniex products described in this instruction manual may include or describe copyrighted Feniex material. Laws in the United States and other countries preserve for Feniex Industries and its licensors certain exclusive rights for copyrighted material, including the exclusive right to copy, reproduce in any form, distribute and make derivative works of the copyrighted material. Accordingly, any copyrighted material of Feniex and its licensors contained herein or in the Feniex products described in this instruction manual may not be copied, reproduced, distributed, merged or modified in any manner without the express written permission of Feniex Industries, Inc.

FENIEX PRODUCT COPYRIGHTS

The products described in this document are the property of Feniex Industries, Inc. It is furnished by express license agreement only and may be used only in accordance with the terms of such an agreement. Products and documentation are copyrighted materials. Making unauthorized copies is prohibited by law. No part of the product or documentation may be reproduced, transmitted, transcribed, stored in retrieval system or translated into any language or computer language, in any form or by any means, without prior permission from Feniex Industries, Inc.

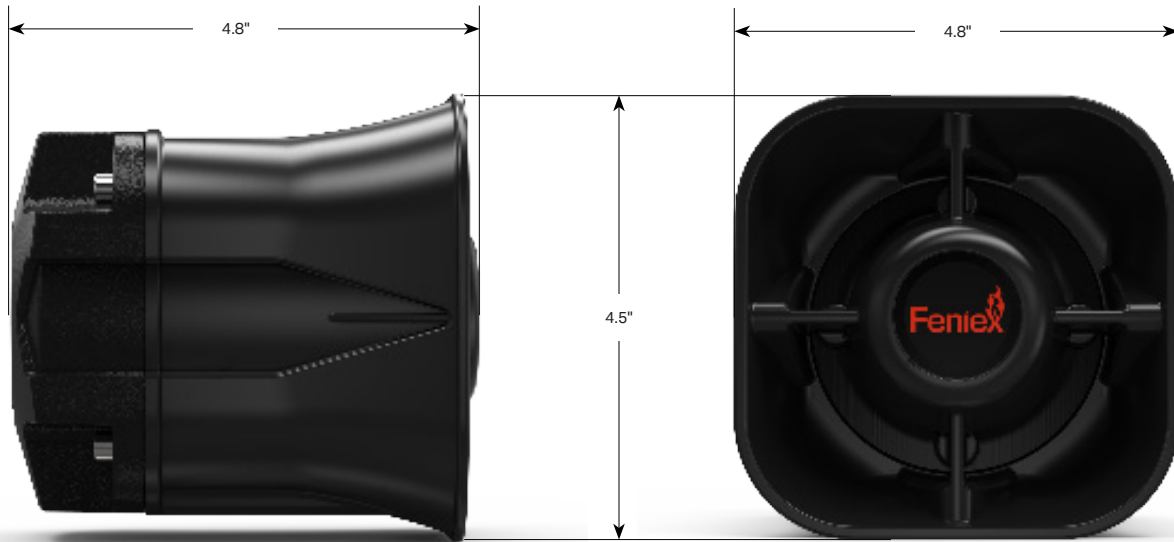
BOX CONTENTS & DIMENSIONS

BOX CONTENTS	QUANTITY
1. Titan 30w Siren/Speaker	1
2. Universal Mounting Bracket	1
3. Screws	

SYSTEM SPECIFICATIONS	
Operating Voltage	9-15 VDC
Operating Current	3 Amps
External Fuse (if hard wired)	125% of Circuit Load
Power Output	30 Watts
Siren Tones	30
Dimensions	4.5" D x 4.5" H x 4.8" D
Decibels Out	114dB



DIMENSIONS



PROGRAMMING

APPLYING POWER

The 30W Siren should be supplied with a solid +12V voltage and GND from the vehicle using appropriate installation methods.

The wiring should go directly from the siren to a fuse at the battery. The fuse and wiring should be sized and installed such that resistance and voltage drop are minimized.

Excessive resistance and voltage drop can cause low performance or increased heat in power routing.

MODE 1/MODE 2 OPERATION

Mode 2 takes priority over Mode 1, and will interrupt any tone currently playing on Mode 1. Each mode can be programmed to operate in either Hands Free or On/Off operation. To toggle the operation style of a Mode:

1. Power the unit off.
2. Connect the desired Mode and the Tone Select wires to +12V.
3. Toggle between *On/Off Activation* and *Hands-Free Activation*. Apply power to the unit. A tone may start playing and after 4 seconds an audible indicator will be heard that verifies the operation style has been toggled.

• **On/Off Activation:** The Mode will play its programmed tone while +12V is applied and stop when it is removed.

To program a Mode in On/Off Operation, activate that Mode and use the Tone Select wire (■ Blue) to scroll through the list of tones. The tone that is left selected will remain that Mode's tone the next time it is activated.

• **Hands Free Activation:** Each mode can have a 3 tone list programmed. That mode will play its first programmed tone as soon as +12V is applied (including a single tap), and stop when +12V is rapidly double tapped. If a tone is already playing and the Mode wire is single tapped to +12V, the next tone in the 3 tone list will play.

To program a Mode in Hands Free Operation, activate the Mode, scroll through the 3 tone list and use the Tone Select wire to set the desired tones for each position.

PARK KILL - OPERATION

When connected to a +12V, the microphone and all tones (including voice commands and audio files) are muted.

WIRING DIAGRAM

COLOR	FUNCTION	POLARITY	CONNECTION
■ Black	Ground	12v (-)	Chasis Ground
■ Red	Battery	12v (+)	Positive Battery Terminal
■ Brown	Mode 2	12v (+)	Latching Switch
■ Yellow	Mode 1	12v (+)	Latching Switch
■ White	Park-Kill	12v (+)	Momentary Signal
■ Blue	Tone Select	12v (+)	Latching Switch
■ Green	Microphone Input	N/A	Optional Microphone
■ Gray	Microphone Input	N/A	Mic GBD Input <small>*Should connect to the barrel of mic jack</small>

tone select - operation

With one of the Modes selected and a tone playing, tap the Blue wire to +12V for 1 second to advance the current tone to the next. Continue to repeat the tone scroll until the desired tone is selected. That tone will now be programmed to the selected Mode (Modes will remain programmed even if power is removed from the unit).

SIREN TONES

1) Wail	16) 'Move out of the way'
2) Yelp	17) 'Pull over'
3) Fast Yelp	18) 'Step out of the vehicle'
4) Phaser	19) 'Step out with your hands up'
5) Horn	20) 'Remain in your vehicle'
6) Mechanical	21) 'Remain...with the windows down'
7) Manual Wail	22) Test Tone
8) Hi/Lo	23) Italian Police (Policia Vibrato)
9) PCall	24) Italian Ambulance
10) PCall Fast	25) Gendarmerie
11) Horn & Phaser	26) Pompiers
12) Horn & Yelp	27) UMH
13) Phaser & Yelp	28) Police
14) Ecto Siren	29) ASA
15) Bad Boys	30) National Anthem

MICROPHONE & EXTRAS

CONNECT MICROPHONE

A microphone can be installed by cutting the splice connecting the Green and Gray wires (default shipping configuration). A microphone should then be connected by soldering and heat shrinking the microphone GND to the Gray wire, and the microphone signal to the Green wire.

When keyed, the microphone will take priority and interrupt any siren tone.



If the microphone is not connected, the Gray and Green wires must be connected.

**otherwise the unit will think the microphone is constantly keyed*